



<b>Project:</b>	<b>Type:</b>
<b>Prepared By:</b>	<b>Date:</b>

Driver Info		LED Info	
Type:	Constant Current	Watts:	26W
120V:	0.25A	Color Temp:	5000K
208V:	N/A	Color Accuracy:	76 CRI
240V:	N/A	L70 Lifespan:	100000
277V:	N/A	Lumens:	3685
Input Watts:	30W	Efficacy:	123 LPW
Efficiency:	87%		

## Technical Specifications

### Listings

#### UL Listing:

Suitable for wet locations

#### DLC Listed:

This product is listed by Design Lights Consortium (DLC) as an ultra-efficient premium product that qualifies for the highest tier of rebates from DLC Member Utilities.

DLC Product Code: PI3NVFGJ

#### IESNA LM-79 & LM-80 Testing:

RAB LED luminaires have been tested by an independent laboratory in accordance with IESNA LM-79 and LM-80, and have received the Department of Energy "Lighting Facts" label

### Electrical

#### Photocell:

Integrated 120V compatible photocell included

#### Driver:

Constant Current, 120V, 50/60 Hz, 700mA, 120V: 0.6A, Power Factor: 99.3%

#### THD:

6.8% at 120V, 12.4% at 277V

#### Power Factor:

99.5% at 120V, 93.6% at 277V

#### Surge Protection:

2kV

### LED Characteristics

#### LEDs:

Multi-chip, high-output, long-life LED

#### Lifespan:

100,000-hour LED lifespan based on IES LM-80 results and TM-21 calculations

#### Color Stability:

LED color temperature is warranted to shift no more than 200K in CCT over a 5 year period

#### Color Uniformity:

RAB's range of CCT (Correlated Color Temperature) follows the guidelines of the American National Standard for Specifications for the Chromaticity of Solid State Lighting (SSL) Products, ANSI C78.377-2017.

### Construction

#### Cold Weather Starting:

Minimum starting temperature is -40°C (-40°F)

#### Housing:

Precision die-cast aluminum housing and arm

#### Mounting:

Mounts on pole

#### Effective Projected Area:

EPA = 0.3

#### Recommended Mounting Height:

15 ft

#### Lens:

High-impact, frosted polycarbonate lens

#### Reflector:

High-reflectance white paint

#### Gaskets:

High-temperature silicone

#### Green Technology:

Mercury and UV-free. RoHS compliant components. Polyester powder coat finish formulated without the use of VOCs or toxic heavy metals.

### Other

#### Patents:

The design of YBLED26 is protected by patents pending in US, Canada, China, Taiwan and Mexico

#### Warranty:

RAB warrants that our LED products will be free from defects in materials and workmanship for a period of five (5) years from the date of delivery to the end user, including coverage of light output, color stability, driver performance and fixture finish.

#### FTC Country of Origin:

This product was assembled in the USA by RAB using imported components

#### Buy American Act Compliance:

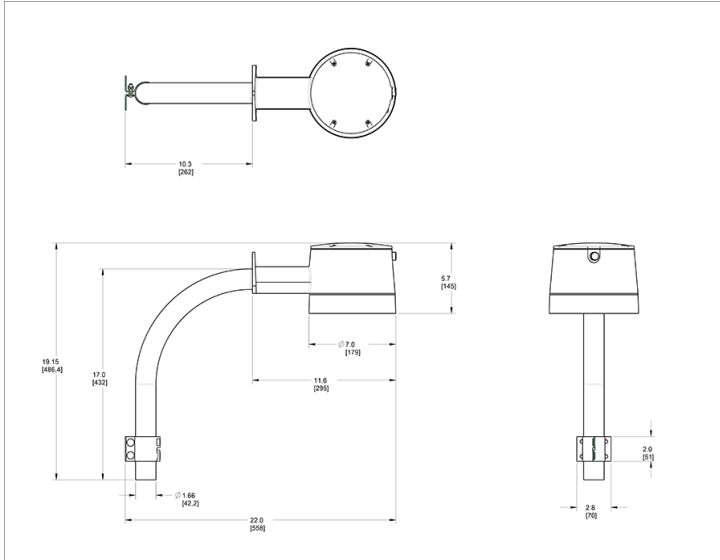
This product complies with the Buy American Act

### Optical

#### BUG Rating:

B1 U2 G1

## Dimensions



## Features

- Replaces 175W mercury vapor and 150W HPS barn lights
- Widespread light distribution illuminates large areas
- Vandal-resistant
- High-impact polycarbonate lens
- Rugged die-cast aluminum housing withstands harsh environments
- Integrated dusk to dawn photocell
- 100,000-hour LED lifespan

## Ordering Matrix

Family	Wattage	Color Temp	Mounting	Options
YBLED	26		/ARM	
	26 = 26W	Blank = 5000K (Cool) Y = 3000K (Warm) N = 4000K (Neutral)	Blank = Wall /ARM = Arm	Blank = No Option /PCT = 120-277V Twistlock